

Features

- 36" minimum base cabinet width.
- Single bowl with side platform.
- Versatile design allows the side platform to be installed on right or left.
- Includes a dishwasher-safe utensil tray.
- Includes a versatile flip tray that works as a cutting board or large tray for food prep and cleaning.
- Includes six microwave and dishwasher-safe prep bowls to maintain an organized cooking station.
- Includes a large American walnut hardwood cutting board that provides a durable work surface that is beautiful, portable, and easy to clean.
- Includes a stainless steel accessory storage rack to maintain a clutter-free sink area when accessories are not in use.
- Includes a sink rack to help protect the sink basin from daily wear.
- Works with all standard countertop thicknesses. Pairs best with 30 mm countertop thickness if a flush surface between counter and cutting board is desired.
- 9-1/2" depth provides generous workspace.
- Includes installation hardware.
- Sink drain with strainer sold separately.



Codes/Standards

ASME A112.19.3/CSA B45.4

Lifetime Limited Warranty for KOHLER® Stainless Steel Sinks

See website for detailed warranty information.

Material

- Handcrafted from 16-gauge stainless steel.
- Premium 16-gauge stainless steel.

Installation

- Undermount.

Recommended Products/Accessories

- K-8801 Sink drain and strainer with tailpiece
- K-8799 Sink drain and strainer basket
- K-23726 Drain treatment
- K-23729 Stainless steel cleaner

Optional Products/Accessories

- K-11352 Disposal Flange with Stopper

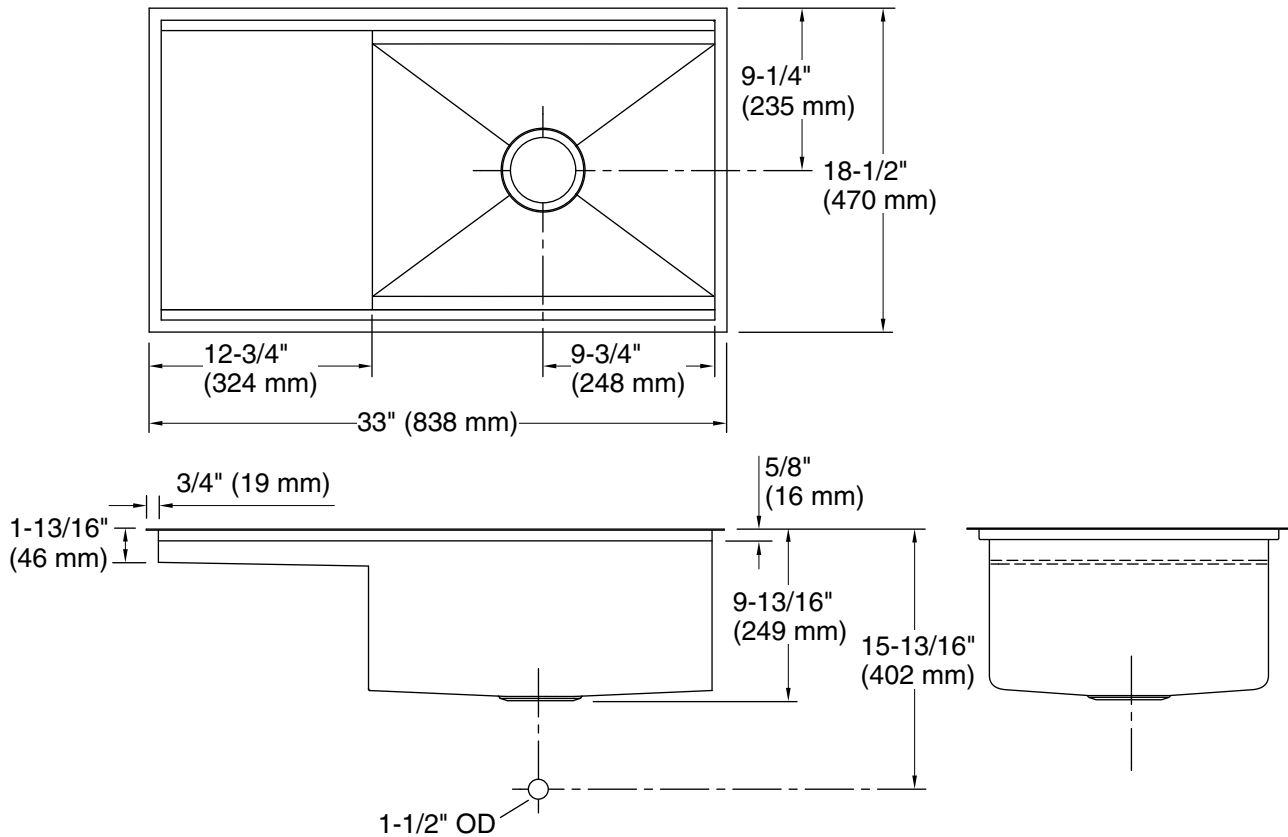
Included Components

Product consists of:

- K-6230 Utensil Tray
- K-6231 Flip Tray
- K-6232 Cutting Board
- K-6234 Sink Rack
- K-6235 Prep Bowls
- K-6236 Accessory Storage Rack
- 91915 Hardware Kit

Additional Components:

- Cut-out Template



Technical Information

All product dimensions are nominal.

Bowl configuration: Off-set Large/small

Installation: Under-mount

Min. base cabinet width: 36" (914 mm)

Bowl area: Length: 31-1/2" (800 mm)
Width: 17" (432 mm)
Bowl depth: 9-1/2" (241 mm)
Water depth: 9-1/2" (241 mm)

Drain hole: 3-5/8" (92 mm)

Template: 1109793-7, required, included

Notes

Install this product according to the installation instructions.